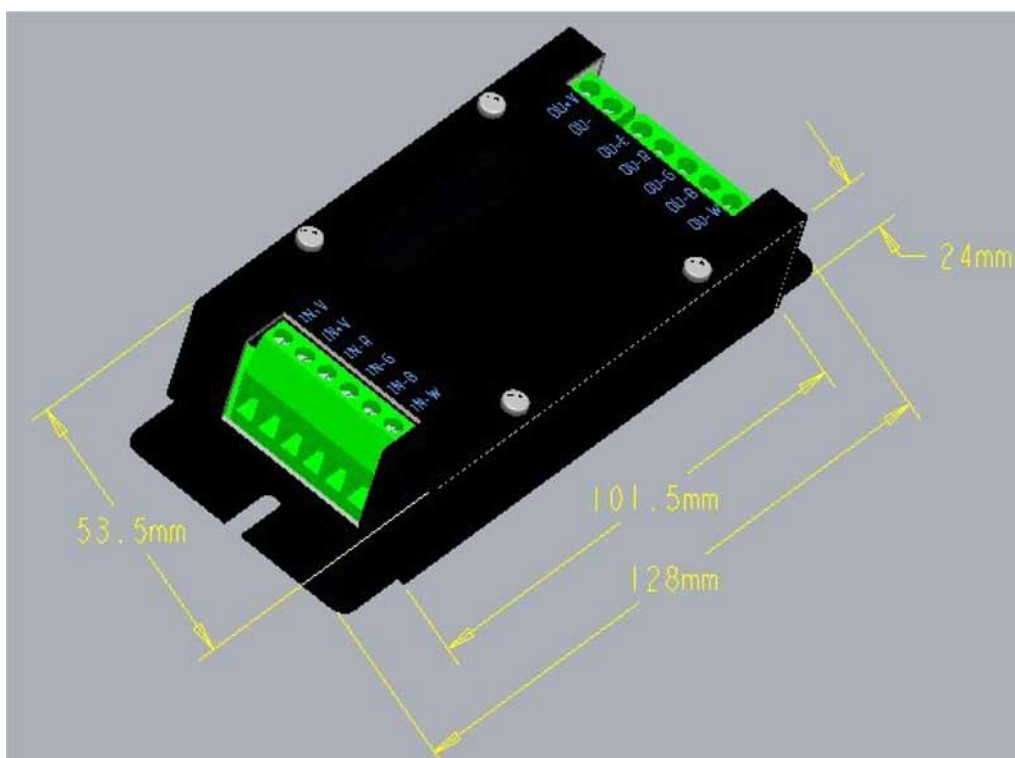


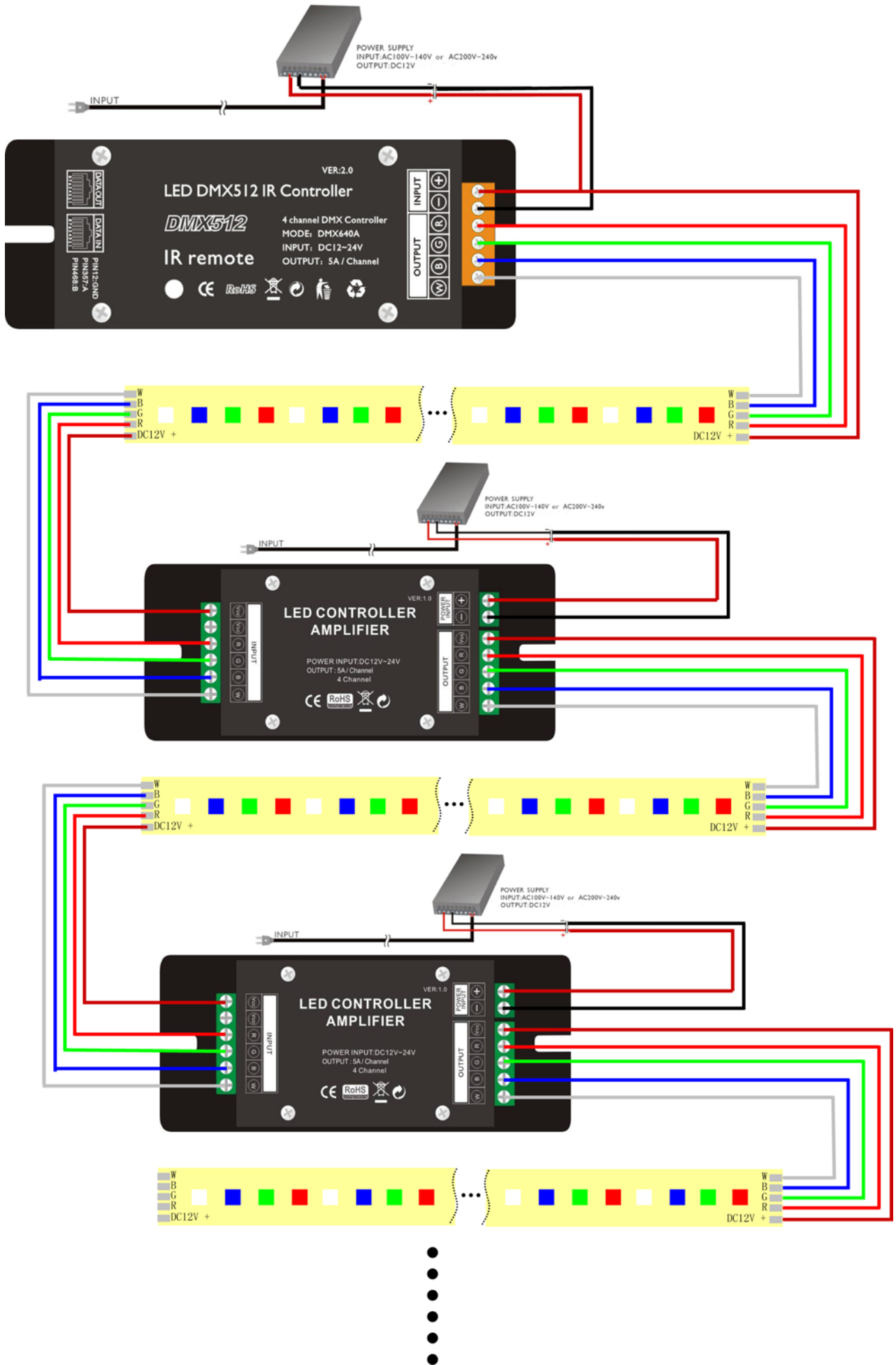
RGB-усилитель JH-20A-4CH (12/24V, 240/480W)

Features:

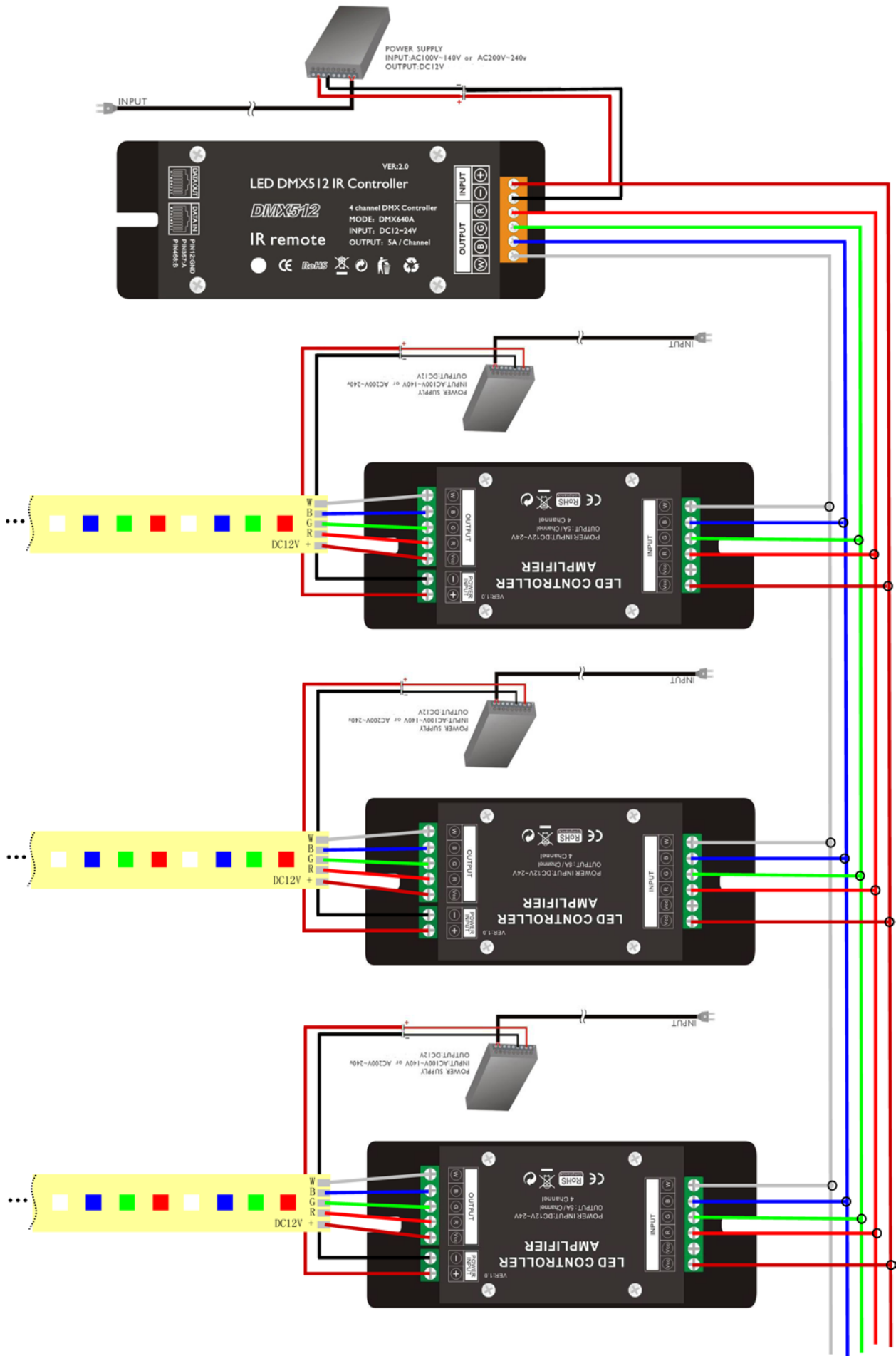
- 4 channels of controller amplifier
- Connect output or input equipment easily through terminal.
- Input & output signal is isolated, avoiding interference between input and output channel.
- Loading Max: DC12V ----- 240W
DC24V ----- 480W
- Controller power consumption $\leq 1W$
- Working Voltage: DC12V ~DC 24V
- Controller temperature rise itself: <50 degree.
- IP20 for indoor use only
- Working temperature: -20°C~+45°C
- Use iron casing, Enhanced the anti-interference ability of the products
- Conforming to International Standard



Connection 1:



Connection 2:



Application:



ATTENTION:

- Indoor Use ONLY, Protect it against dripping water and splash water, high air humidity and heat (admissible ambient temperature range 0-400.)
- For cleaning only use a dry, soft cloth; never use chemicals or water.
- No guarantee claims for the unit and no liability for any resulting personal damage or material damage will be accepted if the unit is used for other purposes than originally intended, if it is not correctly connected or operated, if it is over-loaded or not repaired in an expert way.
- When over-load, the controller will stop working, then please reduce the loading into the right way, then the controller can start again.

WARNING:

- Please check before installation that the LED light input voltage fits to the voltage showed on the lamp and controllers.
- Make sure the power off when you install the controller.
- Do not store this product in places with high temperature or high humidity.